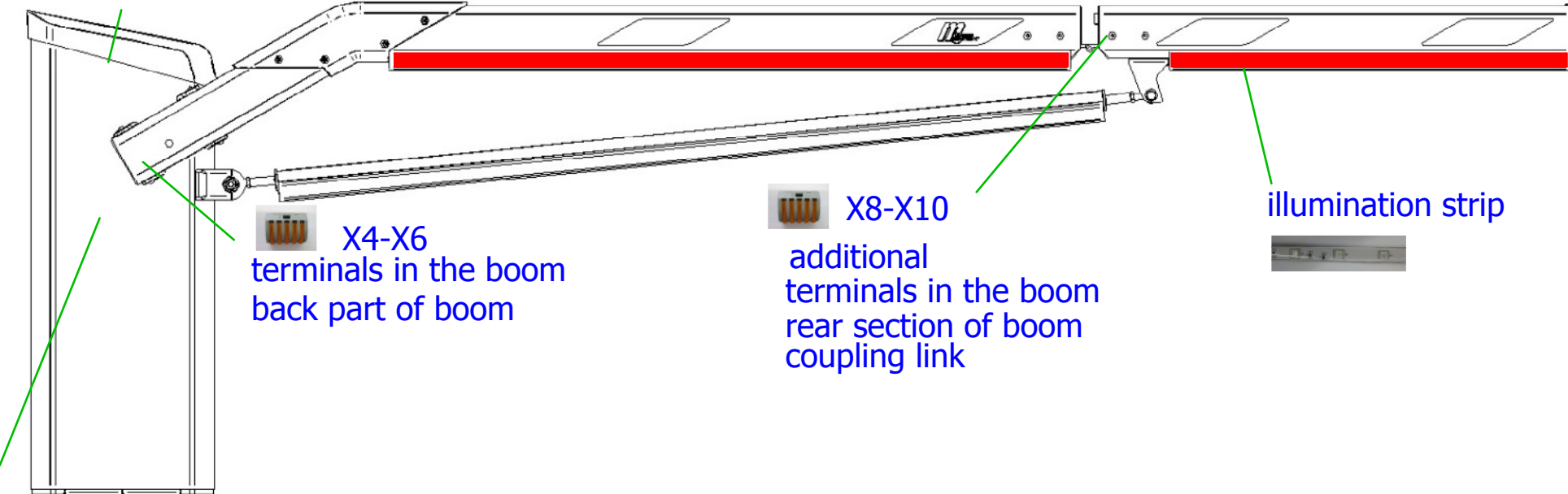


rear section of boom

front section of boom

MGC, Terminals, Optokopler



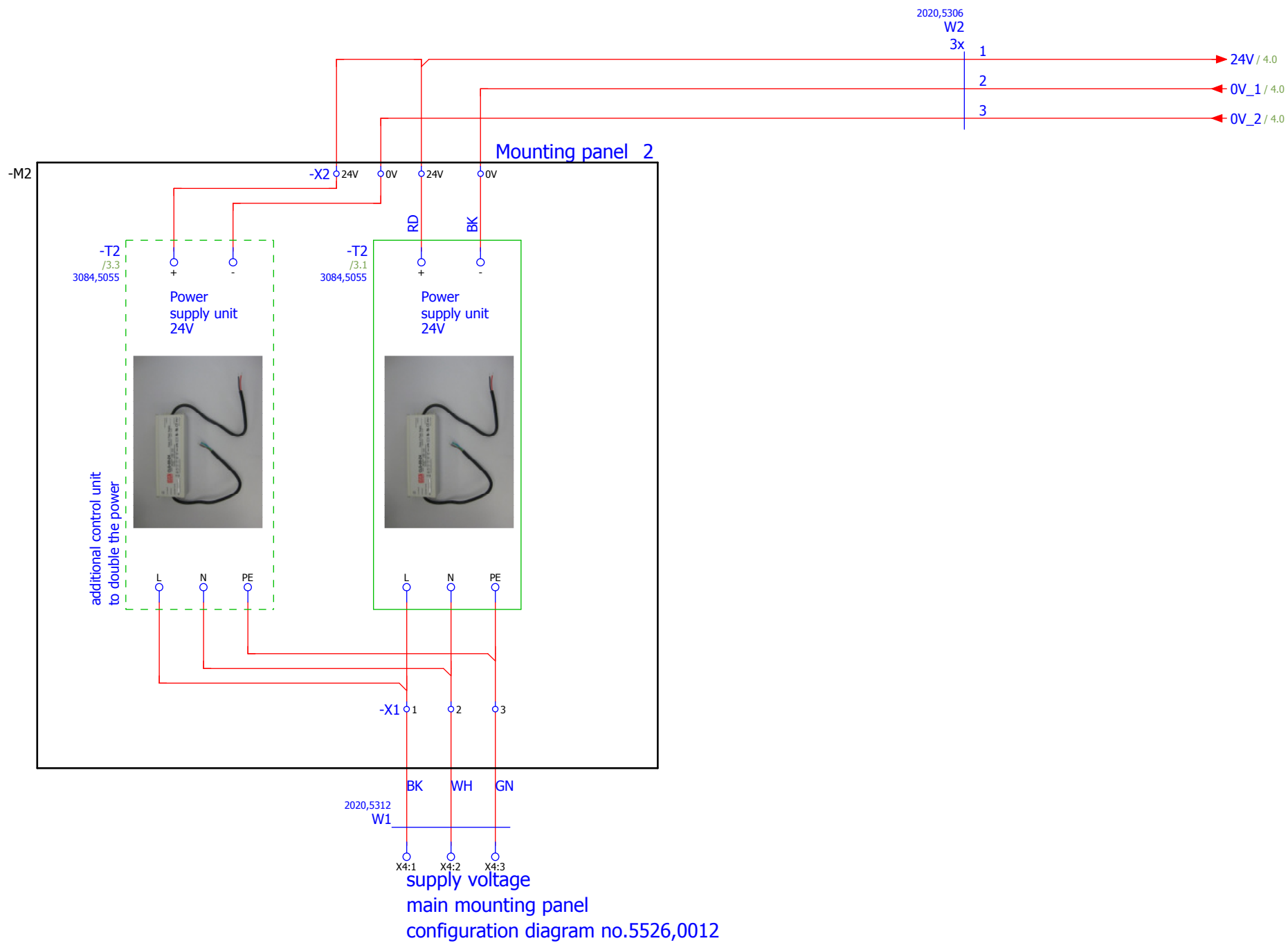
X4-X6 terminals in the boom back part of boom

X8-X10 additional terminals in the boom rear section of boom coupling link

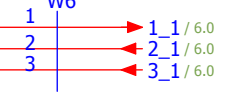
illumination strip



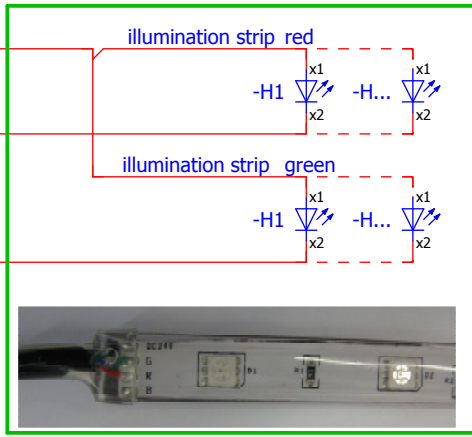
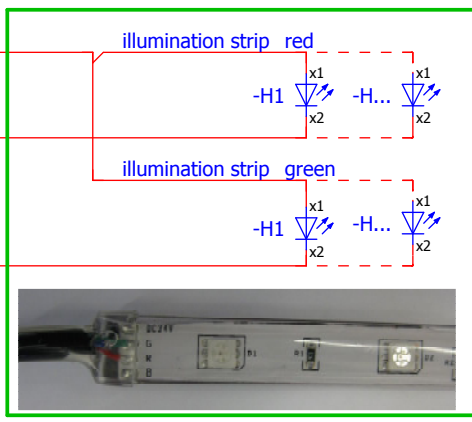
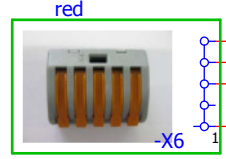
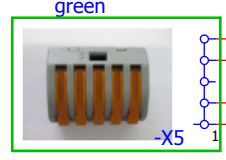
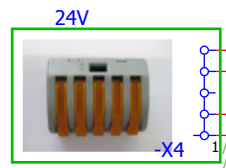
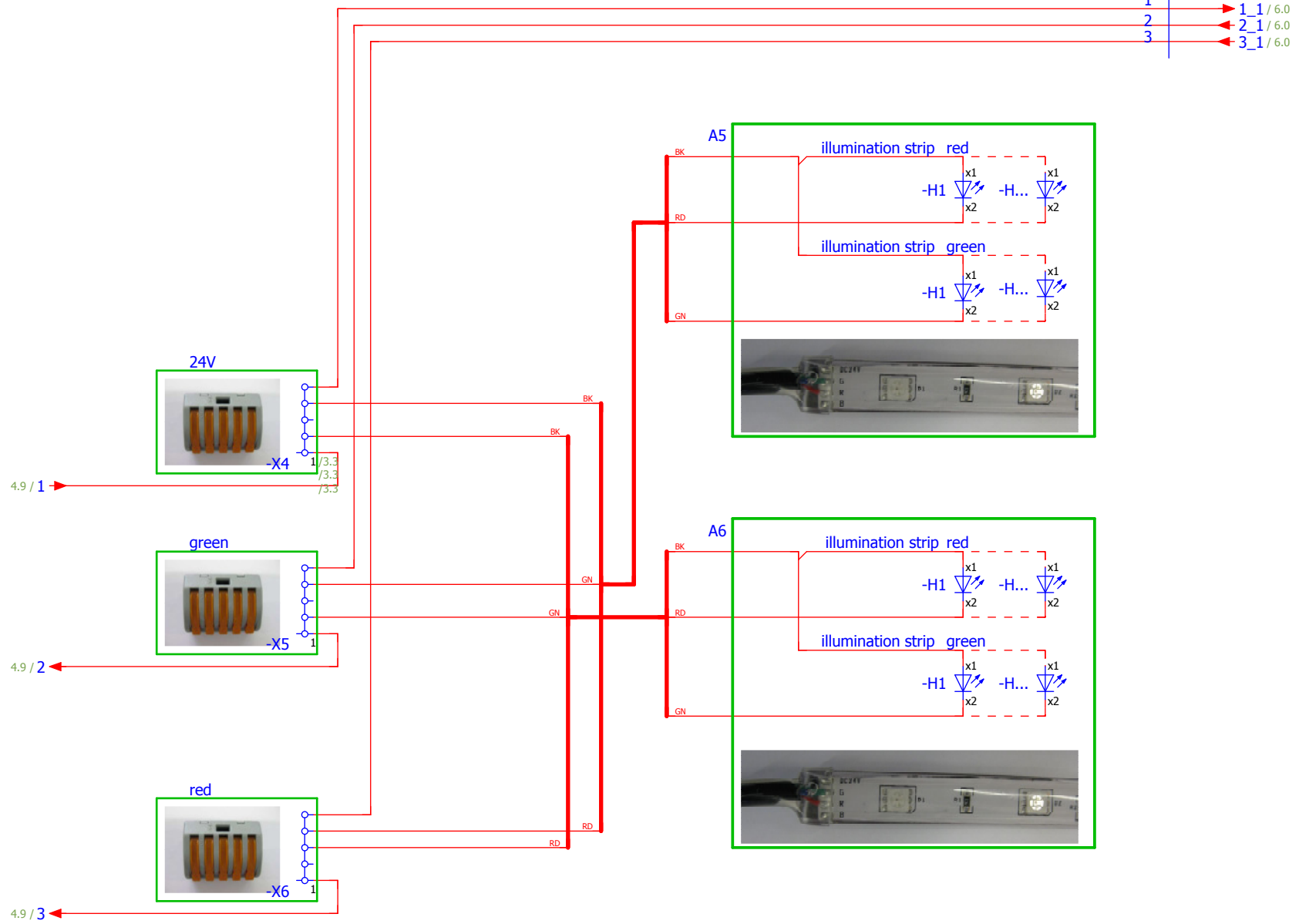
mounting panel 2



3221,5061
W6



front section of boom



Version	Date	Modification project	Name	30.06.2014 gp 00 5K14516
---------	------	----------------------	------	--------------------------------

MHTM
MicroDrive (UL) USA



rear section of boom
illumination strip

		=
		+
5526,0053		Page 5
		of 6

