

# MS, MH and ML Terminals

Free-standing housings

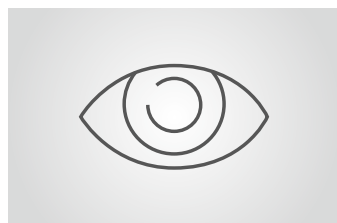
**mAGNETIC**<sup>®</sup>  
ACCESS TO PROGRESS



## For installation according to customer requirements

MS, MH and ML Terminals are the optimum functional and design supplements for all Magnetic barriers. They offer a universal platform for customer-specific equipment – for intercom systems and video monitoring or for complex access and exit control systems. The Terminals are made of aluminium and stainless steel, and are thus designed for long service lives. The front consists of a front cover that can be slid out on telescope rails and

a slot-in door which can only be opened with a single key. Service technicians therefore have easy access to all installed components. The Terminals from Magnetic are available in three designs. With a height of 1.2 m, the MS and MH models are only intended for car traffic and differ in the size of the equipment areas offered. The ML model is 2.2 m tall and offers two separate equipment areas. It is suitable for both car and truck traffic.



### Versatile control systems

Whether an intercom system, video camera, card reader, ticket system or biometric identification – any access control system required can easily be integrated into Terminals from Magnetic.



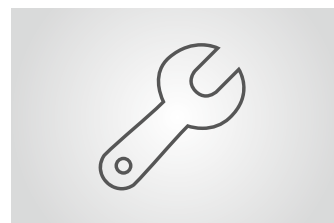
### Award-winning design

With their shape and colours, the Terminals ideally complement the multi-award-winning access barriers from Magnetic.



### Optimal corrosion protection

The stainless steel base and the housing made of powder-coated aluminium offer optimal long-term protection against corrosion.



### Easily accessible components

Two simple hand movements: the Terminal's front cover can be slid out on telescopic rails and the door is easy to remove. This increases user-friendliness and speeds up commissioning and servicing.

# MS, MH and ML Terminals




- > Universal platform for a wide variety of equipment
- > Shape and colours based on prize-winning design of Access barriers
- > Slide-out front cover for simple commissioning and maintenance
- > Maximum protection against corrosion



Technical data	Terminal-MS	Terminal-MH	Terminal-ML
Use	Car	Car	Car and truck
Housing dimensions (W x H x D)	296 x 1202 x 266 mm	296 x 1202 x 266 mm	296 x 2202 x 266 mm
Installation space (W x H)	209 x 337 mm	209 x 487 mm	209 x 337 mm (2 x)
Weight	15 kg	15 kg	27 kg
Front cover design	Slide out on telescopic rails	Slide out on telescopic rails	Slide out on telescopic rails
Housing design	Powder-coated aluminium	Powder-coated aluminium	Powder-coated aluminium
Base design	Stainless steel	Stainless steel	Stainless steel
Enclosure rating	IP54	IP54	IP54

Options	Terminal-MS	Terminal-MH	Terminal-ML
Connection plate	✓	✓	✓
Heating	✓	✓	✓
Key switch	✓	✓	✓
Coin validator	✓	✓	✓
Code keyboard	✓	✓	✓
RFID reader	✓	✓	✓

## Standard colours, housing

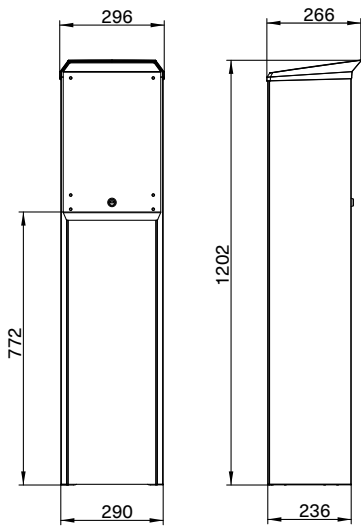
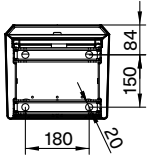
		
Orange (RAL 2000)	White aluminium (similar to RAL 9006)	Grey aluminium (similar to RAL 9007)

## Standard colours, front and back

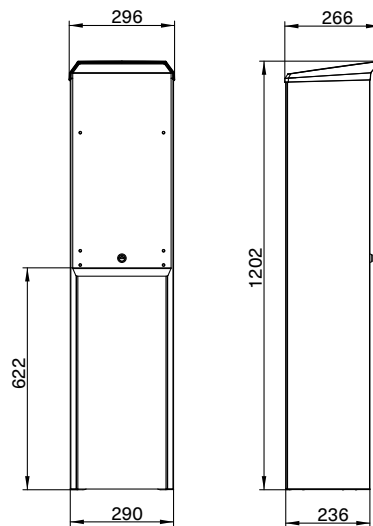

Black-grey (similar to RAL 7021)

## Dimensional drawings

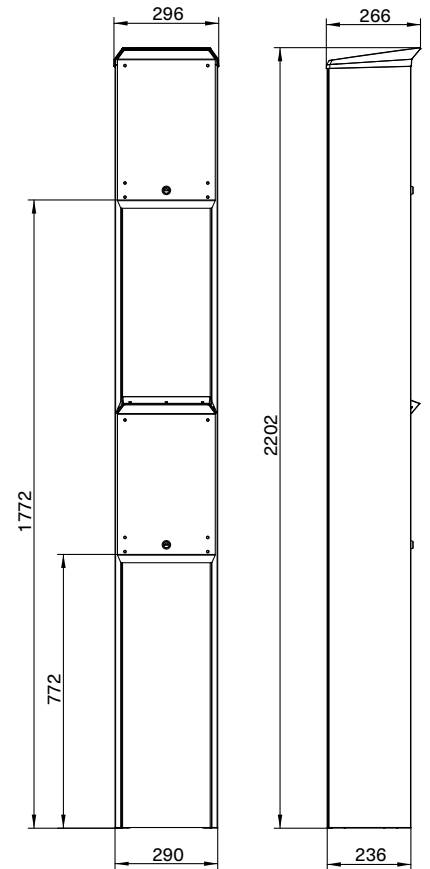
MS, MH and ML: View from above



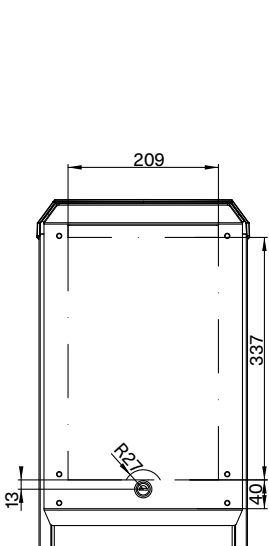
MS:  
View from front and from side



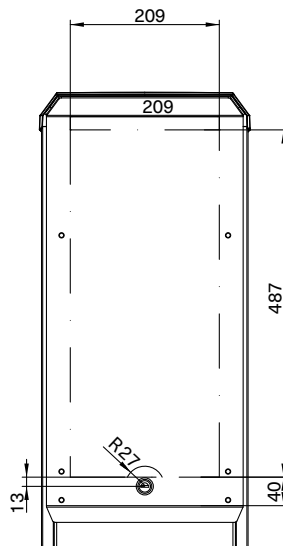
MH:  
View from front and from side



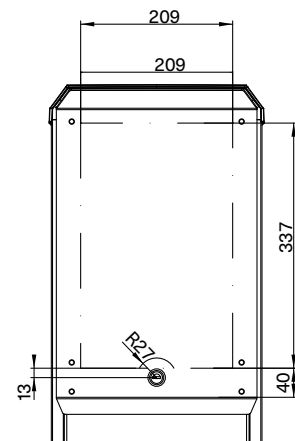
ML:  
View from front and from side



MS:  
Detailed view of front cover



MH:  
Detailed view of front cover



ML:  
Detailed view of front cover

# Access to Progress

Magnetic stands for pioneering products – in every way. Our access control systems for vehicles or pedestrians clear the way for thousands of people every day – at car parks, toll gates, stations, airports and in buildings. Our technology is also pioneering, however: with innovative drives, intelligent control systems and well thought-out details it provides maximum safety and longevity. Are you also on the path to Magnetic?



## Vehicle barriers

- Access barriers
- Parking barriers
- Toll barriers
- Special barriers



## Pedestrian gates

- Turnstiles
- Swing gates
- Tripod gates
- Retractable gates
- Wing gates



## Terminals

- Cars
- Trucks

Web: [www.MagneticGateOpeners.com](http://www.MagneticGateOpeners.com)

Phone: (800) 878-7829

Fax: (330) 650-9004

Email: [sales@magneticgateopeners.com](mailto:sales@magneticgateopeners.com)