

## **Barrier MHTM™ MicroDrive**

ACCESS PRO H

Short instructions





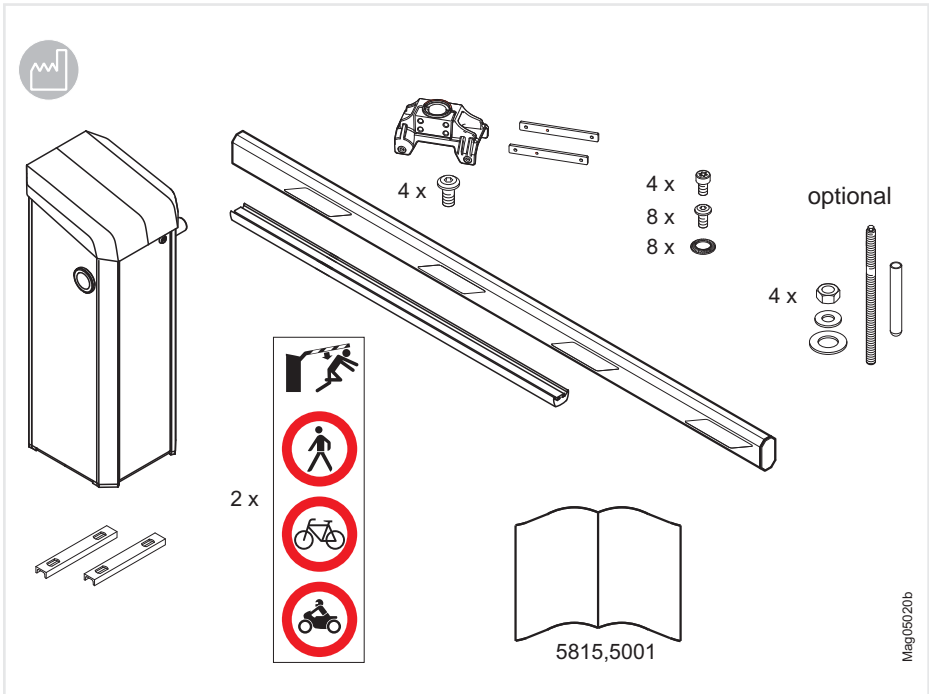
**WARNING!**

These instructions are short instructions. These instructions do not replace the operating instructions "MHTM™ MicroDrive" (Doc.-ID: 5815,5001) that are part of the delivery.

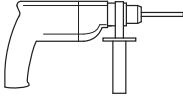
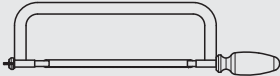
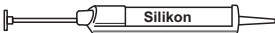




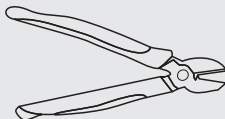
These short instructions are targeted at specialists who already have experience with assembly, installation and commissioning.

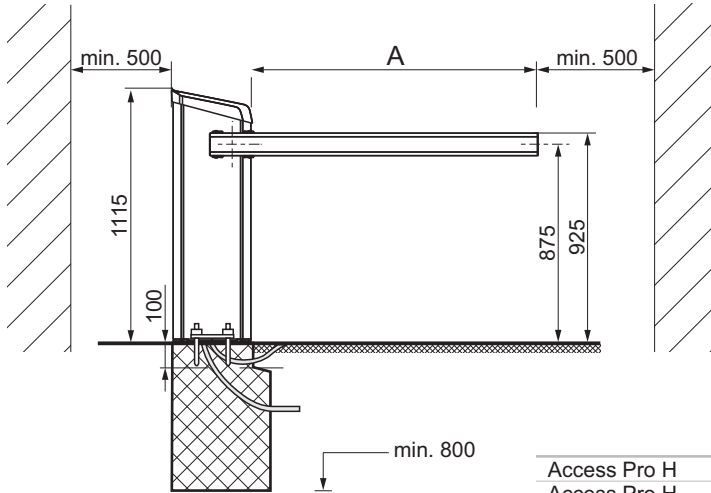
For detailed information, see the operating instructions. Read the operating instructions carefully before commencing any work. The prerequisite for secure work is compliance with any safety notes and instructions for actions included in the operating instructions.

The manufacturer is not liable for any damage from improper or non-intended use.



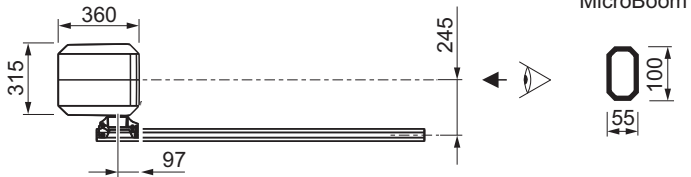
## Short instructions

Required tools		
	Impact drill	10 mm
	Saw	–
	Silicone cartridge	–
	Open-face wrench	13 mm
	Torque wrench, hexagon socket	5 AF
	Torque wrench, hexagon socket	10 AF
	Phillips screwdriver	for 3.5 mm
	Diagonal pliers	–



	A
Access Pro H	3500
Access Pro H	4500
Access Pro H	5000
Access Pro H	6000

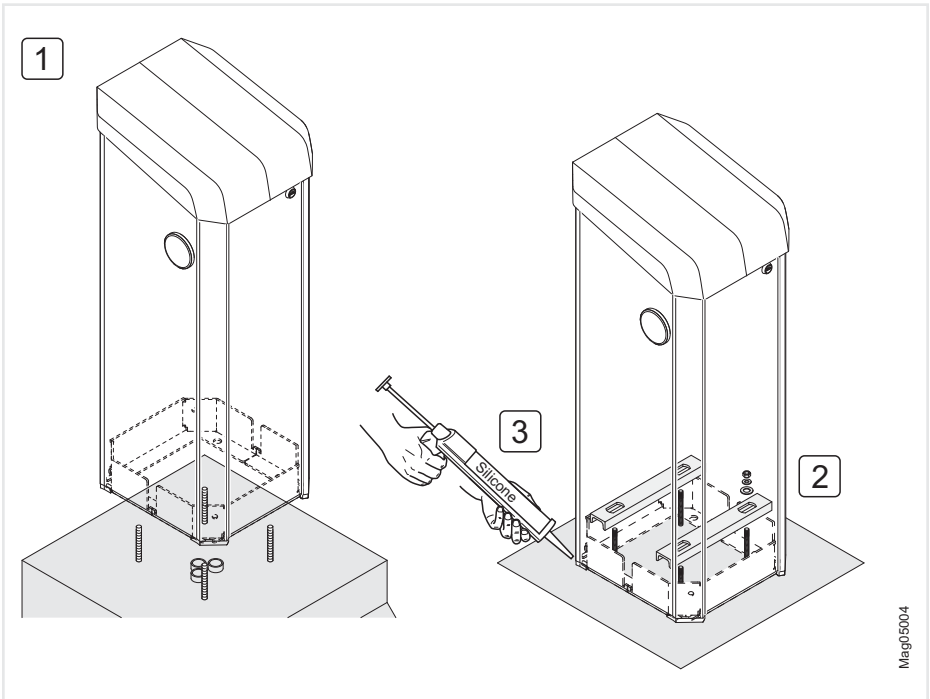
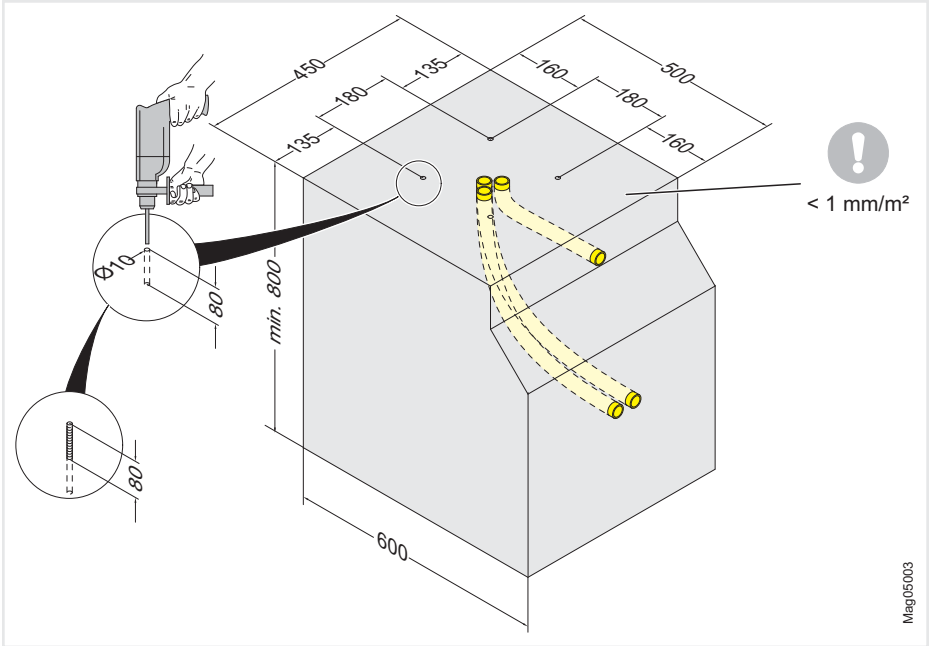
Left version



Right version



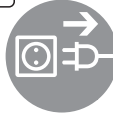
Mag05021



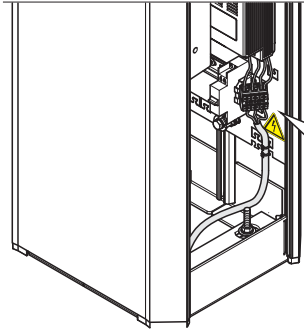
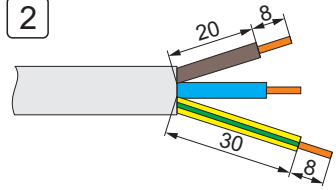


**Electrical  
voltage!**

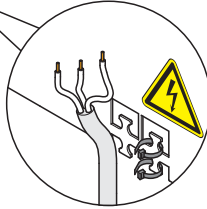
1



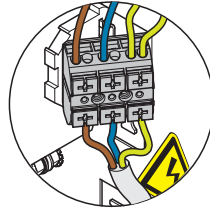
2



3

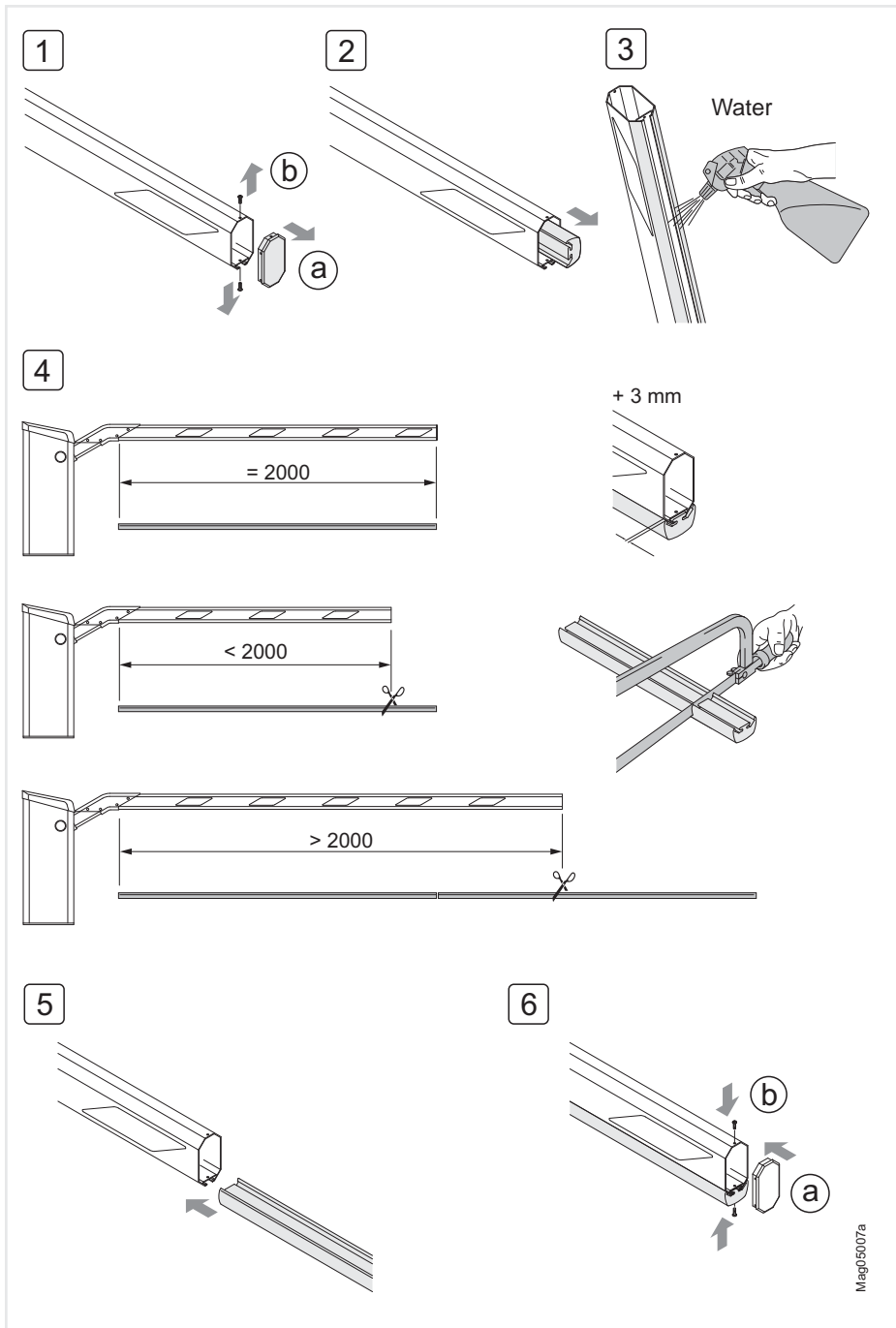


4

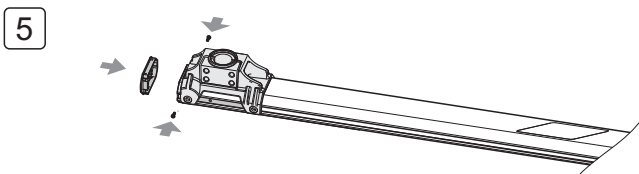
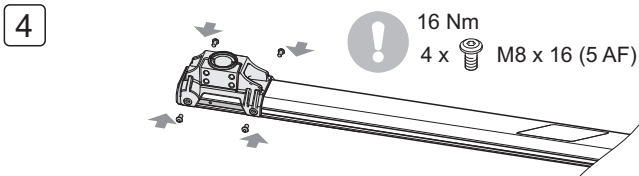
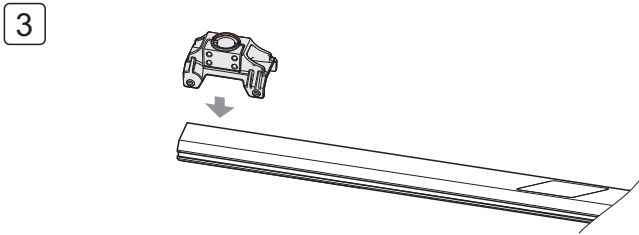
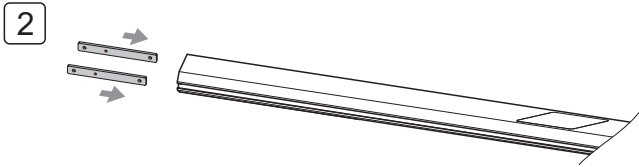
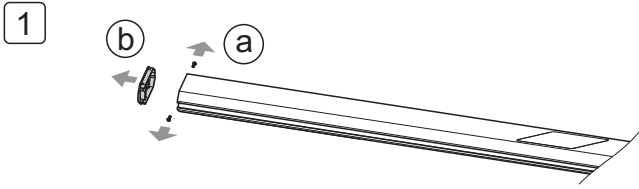


230 V AC / 50 – 60 Hz

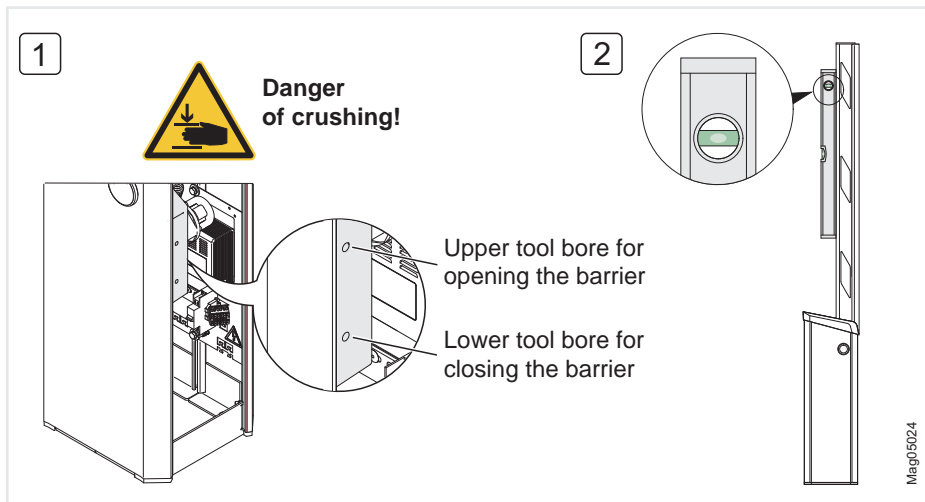
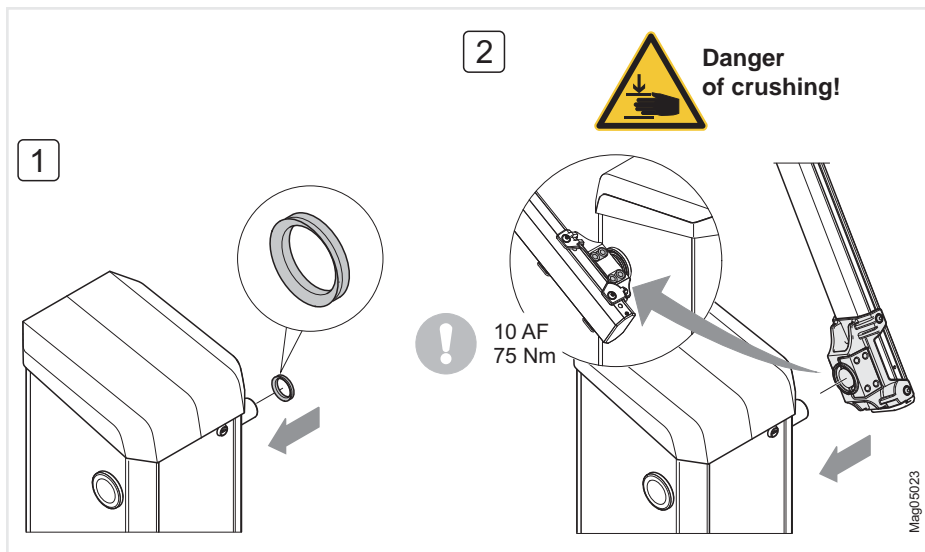
Miag05035

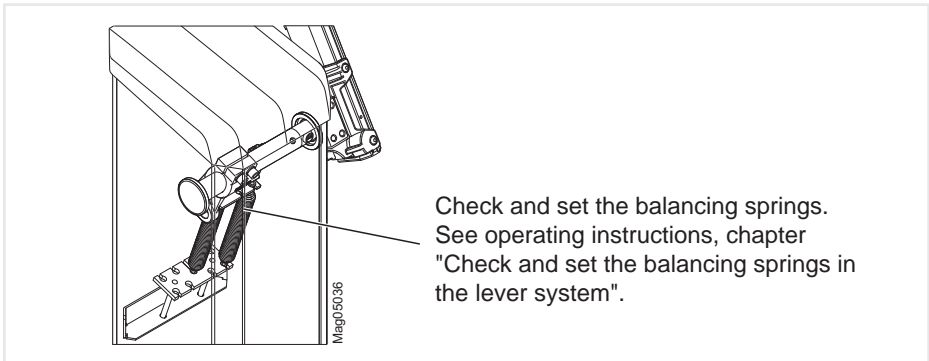
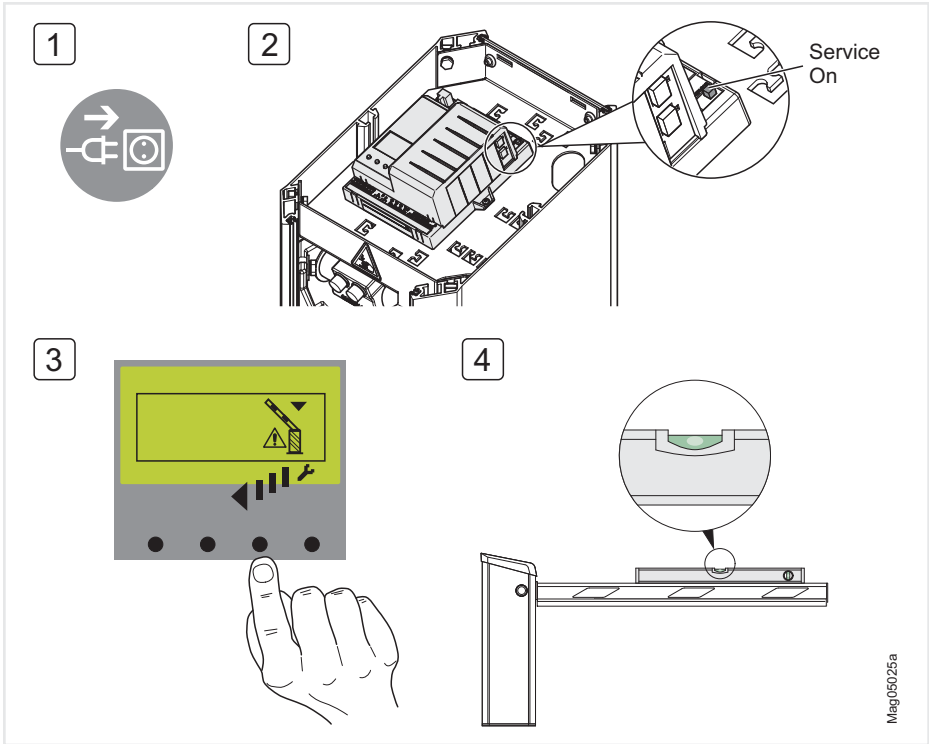


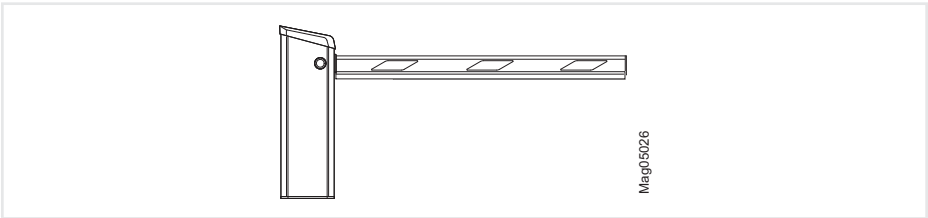
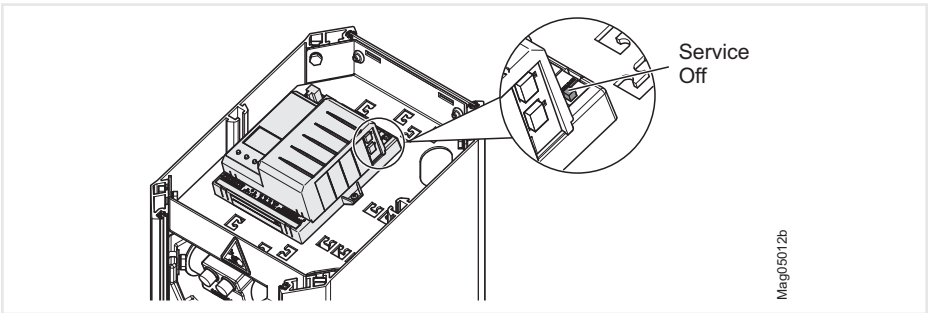
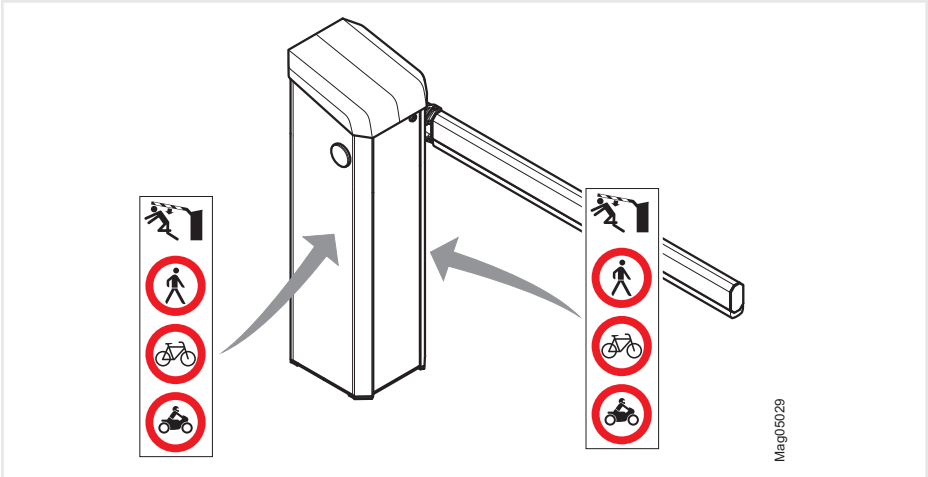




Mag05027







Web: [www.MagneticGateOpeners.com](http://www.MagneticGateOpeners.com)

Phone: (800) 878-7829

Fax: (330) 650-9004

Email: [sales@magneticgateopeners.com](mailto:sales@magneticgateopeners.com)